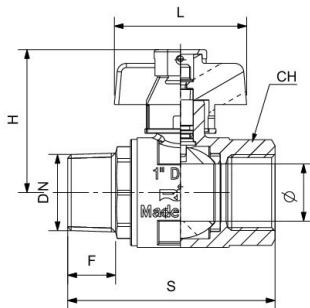


RIV 5066

Ball valve M/F heavy type (Magnum series)
 full bore
 Extra-Lock brass tamperproof butterfly handle

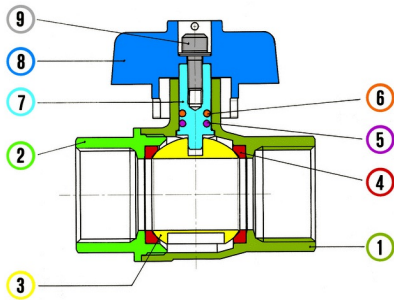
Tech drawings and tables

DN	Code	Ø	F	H	L	S	PN	KG	P/box
1/2"	055066000004	15	16	51	53	67	64	0,316	10
3/4"	055066000005	20	17,5	58	58	76	64	0,497	10
1"	055066000007	25	21	63	58	91	64	0,735	8



Technical data

Art. 5051



Materials

1	Body	Brass	CW617N	Nickel-plated
2	Body end	Brass	CW617N	Nickel-plated
3	Ball	Brass	CW617N	Chrome-plated
4	Seats	P.T.F.E.		
5	O-Ring	FKM		
6	O-Ring	NBR		
7	Stem	Brass	CW614N	
8	Butterfly handle	Brass		
9	Screw	Brass		

Connections

Limit

Notes

The max.working pressure (PN) means at a room temperature of about 23°C.